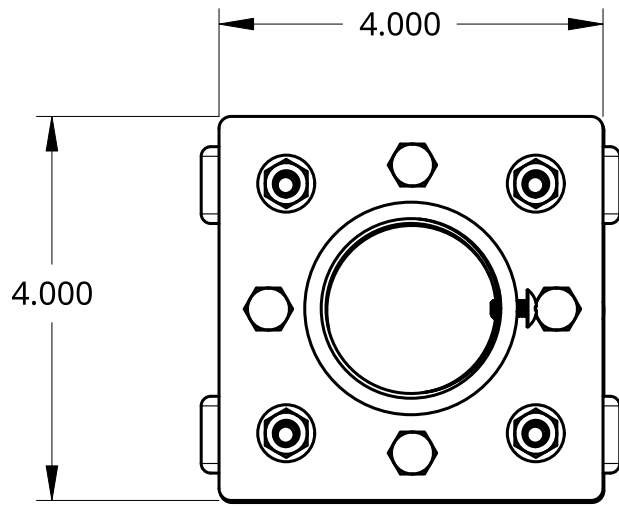


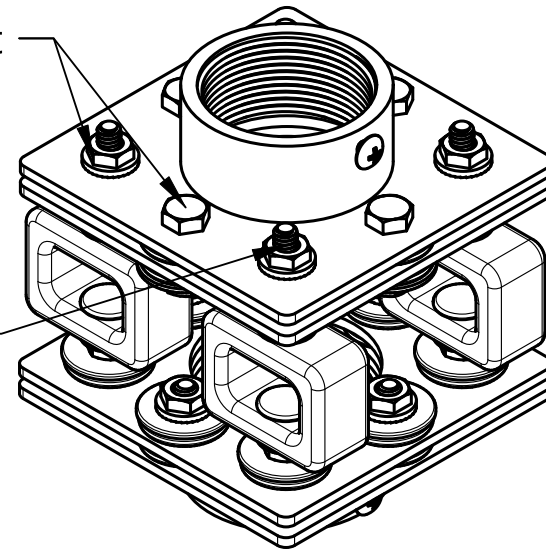
2

1



7/16" Hex Socket

1/4-20 Thread

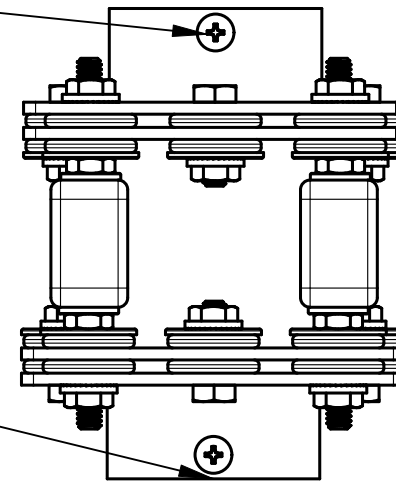
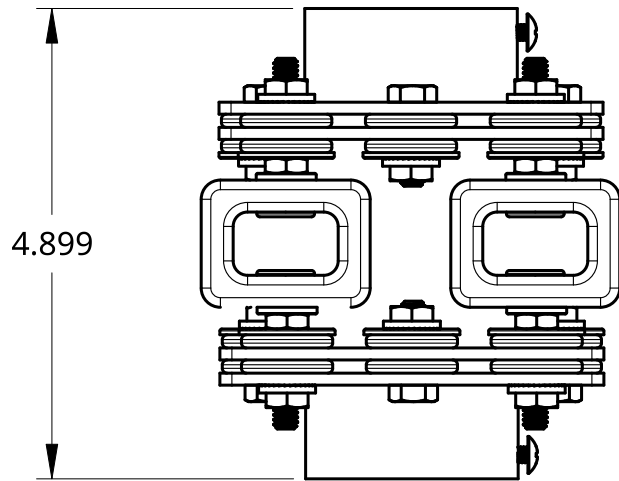


SCALE 1:2

SCALE 1:2

8-32 Truss Head Screw

1 1/2" Pipe (1.5" NPT)



B

B

A

A

UNLESS OTHERWISE SPECIFIED, DIMENSIONS ARE IN INCHES

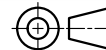
.XX = ±.0-
 .XXX = ±.00-
 .XXXX = ±.000-
 ANGULAR = ± °
 FRACTIONAL = ±

SURFACE FINISH

DO NOT SCALE DRAWING

BREAK ALL SHARP EDGES AND REMOVE BURRS

THIRD ANGLE PROJECTION



	NAME	DATE
DRAWN	Bryan Dierking	04/02/2021
CHECKED	Hannah Brent	
APPROVED	Nigel Brent	
MATERIAL	FINISH	

TITLE		
Black Anti-Vibration Isolating Adapter NB-UIM-W-25 -52-60		
SIZE	DWG NO.	REV.
A		1
SCALE	WEIGHT	SHEET
1:2		1 of 1

2

1