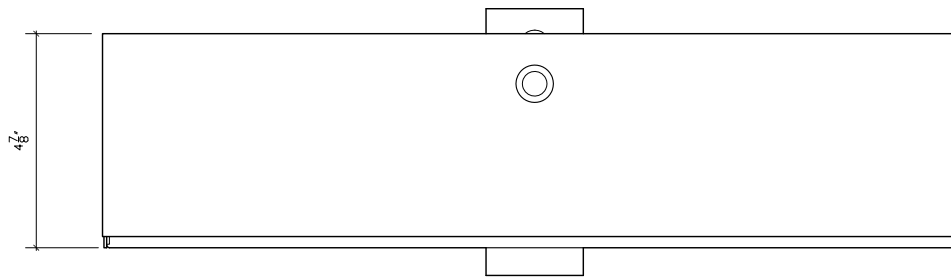
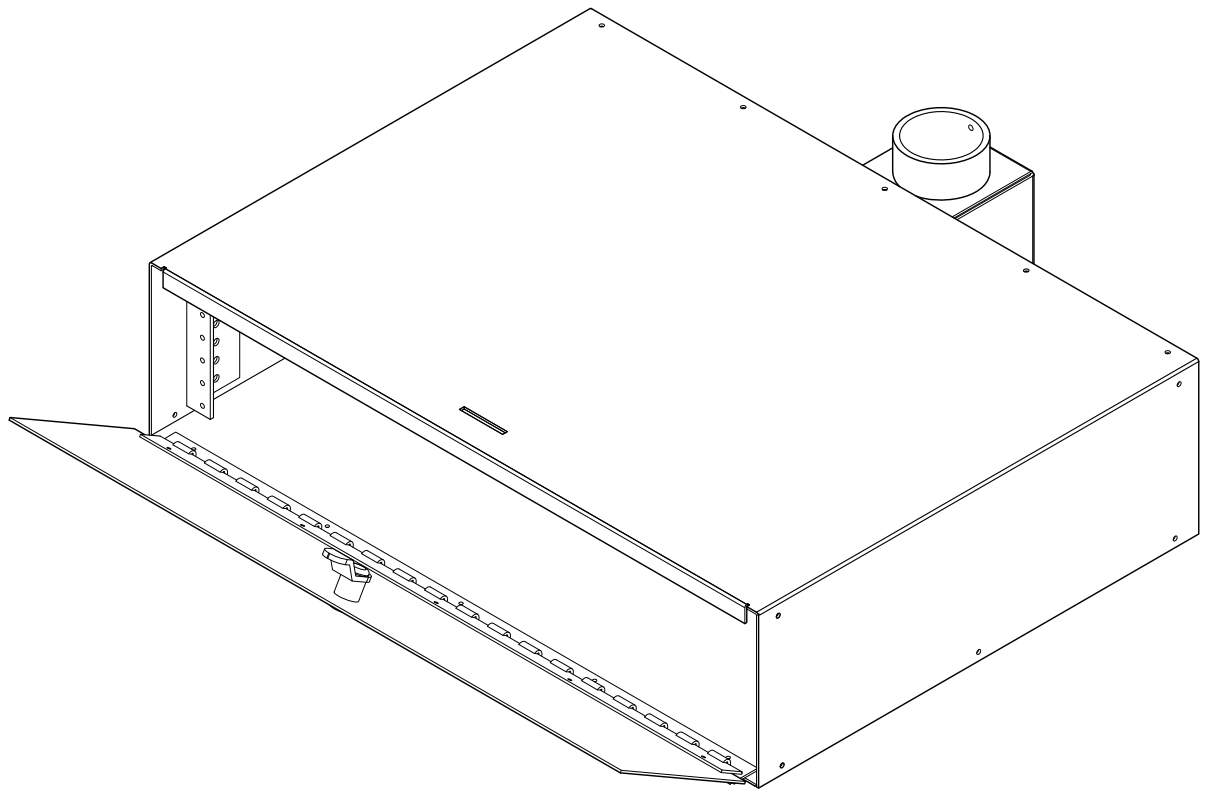


TOP VIEW



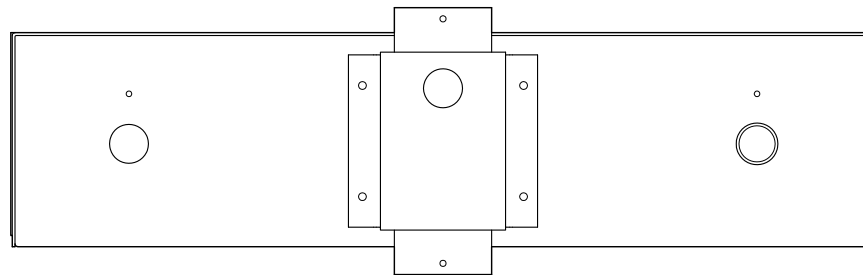
FRONT VIEW

DATE: 08/11/2011		TIME: 10:00 AM		SCALE: 1:1	
DRAWN BY: [blank]		CHECKED BY: [blank]		DATE: 08/11/2011	
PROJECT: [blank]		JOB: [blank]		SHEET NO: [blank]	
DESCRIPTION: [blank]		PART NO: [blank]		REV: [blank]	
MATERIAL: [blank]		QUANTITY: [blank]		UNIT: [blank]	
REVISIONS: [blank]		APPROVED BY: [blank]		DATE: [blank]	
TITLE: [blank]		PART NO: [blank]		REV: [blank]	
DRAWN BY: [blank]		CHECKED BY: [blank]		DATE: [blank]	
PROJECT: [blank]		JOB: [blank]		SHEET NO: [blank]	
DESCRIPTION: [blank]		PART NO: [blank]		REV: [blank]	
MATERIAL: [blank]		QUANTITY: [blank]		UNIT: [blank]	
REVISIONS: [blank]		APPROVED BY: [blank]		DATE: [blank]	
TITLE: <b>NB-2RUBPM</b>		PART NO: [blank]		REV: [blank]	
DRAWN BY: [blank]		CHECKED BY: [blank]		DATE: [blank]	
PROJECT: [blank]		JOB: [blank]		SHEET NO: [blank]	
DESCRIPTION: [blank]		PART NO: [blank]		REV: [blank]	
MATERIAL: [blank]		QUANTITY: [blank]		UNIT: [blank]	
REVISIONS: [blank]		APPROVED BY: [blank]		DATE: [blank]	
TITLE: <b>Rock Mount Plenum Box Pole Mount Version</b>		PART NO: [blank]		REV: [blank]	
DRAWN BY: [blank]		CHECKED BY: [blank]		DATE: [blank]	
PROJECT: [blank]		JOB: [blank]		SHEET NO: [blank]	
DESCRIPTION: [blank]		PART NO: [blank]		REV: [blank]	
MATERIAL: [blank]		QUANTITY: [blank]		UNIT: [blank]	
REVISIONS: [blank]		APPROVED BY: [blank]		DATE: [blank]	
TITLE: <b>Nigel B Design Inc.</b>		PART NO: [blank]		REV: [blank]	
DRAWN BY: [blank]		CHECKED BY: [blank]		DATE: [blank]	
PROJECT: [blank]		JOB: [blank]		SHEET NO: [blank]	
DESCRIPTION: [blank]		PART NO: [blank]		REV: [blank]	
MATERIAL: [blank]		QUANTITY: [blank]		UNIT: [blank]	
REVISIONS: [blank]		APPROVED BY: [blank]		DATE: [blank]	

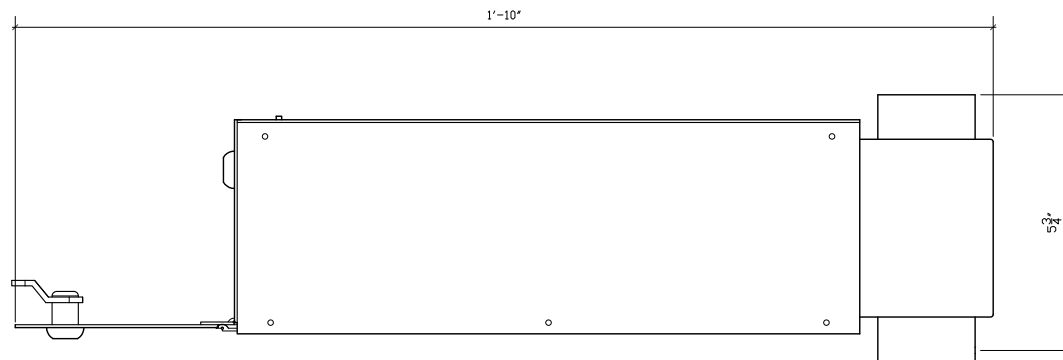


ISOMETRIC VIEW

DATE: 10/10/2014		TIME: 10:10		SCALE: 1:1	
DRAWN BY: NBD		CHECKED BY: NBD		APPROVED BY: NBD	
PROJECT: NB-2RUBPM		DESCRIPTION: Rack Mount Plenum Box Pole Mount Version		DRAWING NO: NB-2RUBPM	
REV: 1		DATE: 10/10/2014		BY: NBD	
REV: 2		DATE: 10/10/2014		BY: NBD	
REV: 3		DATE: 10/10/2014		BY: NBD	
REV: 4		DATE: 10/10/2014		BY: NBD	
REV: 5		DATE: 10/10/2014		BY: NBD	
REV: 6		DATE: 10/10/2014		BY: NBD	
REV: 7		DATE: 10/10/2014		BY: NBD	
REV: 8		DATE: 10/10/2014		BY: NBD	
REV: 9		DATE: 10/10/2014		BY: NBD	
REV: 10		DATE: 10/10/2014		BY: NBD	
REV: 11		DATE: 10/10/2014		BY: NBD	
REV: 12		DATE: 10/10/2014		BY: NBD	
REV: 13		DATE: 10/10/2014		BY: NBD	
REV: 14		DATE: 10/10/2014		BY: NBD	
REV: 15		DATE: 10/10/2014		BY: NBD	
REV: 16		DATE: 10/10/2014		BY: NBD	
REV: 17		DATE: 10/10/2014		BY: NBD	
REV: 18		DATE: 10/10/2014		BY: NBD	
REV: 19		DATE: 10/10/2014		BY: NBD	
REV: 20		DATE: 10/10/2014		BY: NBD	
REV: 21		DATE: 10/10/2014		BY: NBD	
REV: 22		DATE: 10/10/2014		BY: NBD	
REV: 23		DATE: 10/10/2014		BY: NBD	
REV: 24		DATE: 10/10/2014		BY: NBD	
REV: 25		DATE: 10/10/2014		BY: NBD	
REV: 26		DATE: 10/10/2014		BY: NBD	
REV: 27		DATE: 10/10/2014		BY: NBD	
REV: 28		DATE: 10/10/2014		BY: NBD	
REV: 29		DATE: 10/10/2014		BY: NBD	
REV: 30		DATE: 10/10/2014		BY: NBD	
REV: 31		DATE: 10/10/2014		BY: NBD	
REV: 32		DATE: 10/10/2014		BY: NBD	
REV: 33		DATE: 10/10/2014		BY: NBD	
REV: 34		DATE: 10/10/2014		BY: NBD	
REV: 35		DATE: 10/10/2014		BY: NBD	
REV: 36		DATE: 10/10/2014		BY: NBD	
REV: 37		DATE: 10/10/2014		BY: NBD	
REV: 38		DATE: 10/10/2014		BY: NBD	
REV: 39		DATE: 10/10/2014		BY: NBD	
REV: 40		DATE: 10/10/2014		BY: NBD	
REV: 41		DATE: 10/10/2014		BY: NBD	
REV: 42		DATE: 10/10/2014		BY: NBD	
REV: 43		DATE: 10/10/2014		BY: NBD	
REV: 44		DATE: 10/10/2014		BY: NBD	
REV: 45		DATE: 10/10/2014		BY: NBD	
REV: 46		DATE: 10/10/2014		BY: NBD	
REV: 47		DATE: 10/10/2014		BY: NBD	
REV: 48		DATE: 10/10/2014		BY: NBD	
REV: 49		DATE: 10/10/2014		BY: NBD	
REV: 50		DATE: 10/10/2014		BY: NBD	
REV: 51		DATE: 10/10/2014		BY: NBD	
REV: 52		DATE: 10/10/2014		BY: NBD	
REV: 53		DATE: 10/10/2014		BY: NBD	
REV: 54		DATE: 10/10/2014		BY: NBD	
REV: 55		DATE: 10/10/2014		BY: NBD	
REV: 56		DATE: 10/10/2014		BY: NBD	
REV: 57		DATE: 10/10/2014		BY: NBD	
REV: 58		DATE: 10/10/2014		BY: NBD	
REV: 59		DATE: 10/10/2014		BY: NBD	
REV: 60		DATE: 10/10/2014		BY: NBD	
REV: 61		DATE: 10/10/2014		BY: NBD	
REV: 62		DATE: 10/10/2014		BY: NBD	
REV: 63		DATE: 10/10/2014		BY: NBD	
REV: 64		DATE: 10/10/2014		BY: NBD	
REV: 65		DATE: 10/10/2014		BY: NBD	
REV: 66		DATE: 10/10/2014		BY: NBD	
REV: 67		DATE: 10/10/2014		BY: NBD	
REV: 68		DATE: 10/10/2014		BY: NBD	
REV: 69		DATE: 10/10/2014		BY: NBD	
REV: 70		DATE: 10/10/2014		BY: NBD	
REV: 71		DATE: 10/10/2014		BY: NBD	
REV: 72		DATE: 10/10/2014		BY: NBD	
REV: 73		DATE: 10/10/2014		BY: NBD	
REV: 74		DATE: 10/10/2014		BY: NBD	
REV: 75		DATE: 10/10/2014		BY: NBD	
REV: 76		DATE: 10/10/2014		BY: NBD	
REV: 77		DATE: 10/10/2014		BY: NBD	
REV: 78		DATE: 10/10/2014		BY: NBD	
REV: 79		DATE: 10/10/2014		BY: NBD	
REV: 80		DATE: 10/10/2014		BY: NBD	
REV: 81		DATE: 10/10/2014		BY: NBD	
REV: 82		DATE: 10/10/2014		BY: NBD	
REV: 83		DATE: 10/10/2014		BY: NBD	
REV: 84		DATE: 10/10/2014		BY: NBD	
REV: 85		DATE: 10/10/2014		BY: NBD	
REV: 86		DATE: 10/10/2014		BY: NBD	
REV: 87		DATE: 10/10/2014		BY: NBD	
REV: 88		DATE: 10/10/2014		BY: NBD	
REV: 89		DATE: 10/10/2014		BY: NBD	
REV: 90		DATE: 10/10/2014		BY: NBD	
REV: 91		DATE: 10/10/2014		BY: NBD	
REV: 92		DATE: 10/10/2014		BY: NBD	
REV: 93		DATE: 10/10/2014		BY: NBD	
REV: 94		DATE: 10/10/2014		BY: NBD	
REV: 95		DATE: 10/10/2014		BY: NBD	
REV: 96		DATE: 10/10/2014		BY: NBD	
REV: 97		DATE: 10/10/2014		BY: NBD	
REV: 98		DATE: 10/10/2014		BY: NBD	
REV: 99		DATE: 10/10/2014		BY: NBD	
REV: 100		DATE: 10/10/2014		BY: NBD	

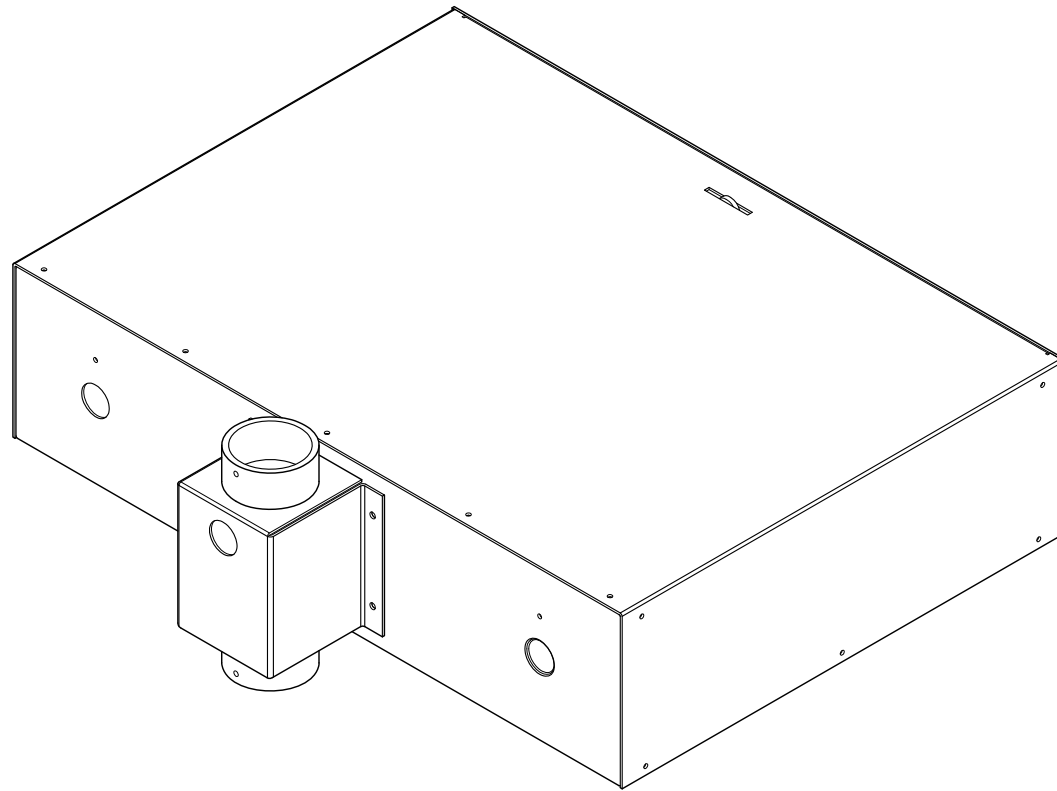


BACK VIEW



SIDE VIEW

DATE	BY	CHKD	APP'D	SCALE
<b>NB-2RUBPM</b> Rack Mount Plenum Box Pole Mount Version Nigel B Design Inc.				AD



ISOMETRIC VIEW

DATE	BY	CHKD	APP'D	SCALE	
PART NAME				PART NO.	
NB-2RUBPM					
TITLE				DRAWN BY	
Rock Mount Plenum Box					
Pole Mount Version					
DESIGNED BY				DATE	
Nigel B Design Inc.					
MATERIAL				SHEET NO.	
				OF TOTAL SHEETS	
REVISIONS				DRAWN	
				CHECKED	
				DATE	